

E-WB428-A^{PRO}

4MP IR Fixed – focal Wifi Bullet Network Camera



Accessories

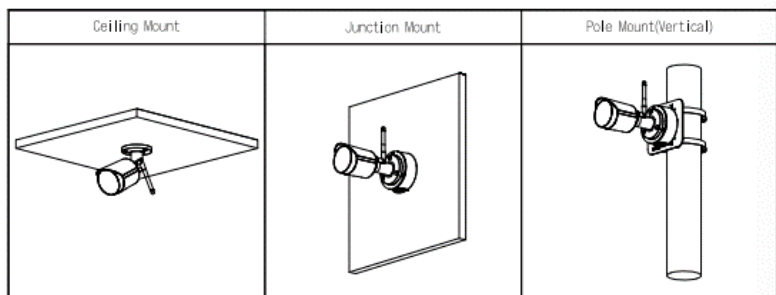
PFA134



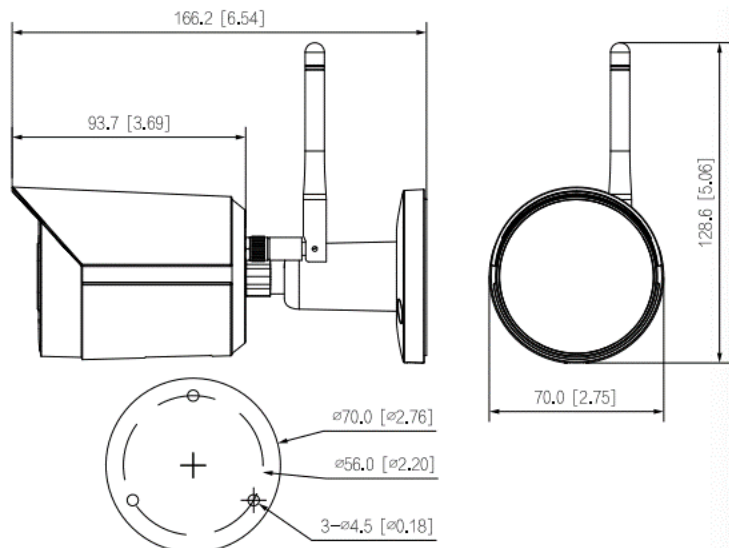
PFA152-E



Installation Method



Dimensions mm (inch)



Technical Specification

Camera

Image Sensor	1/3" CMOS
Max. Resolution	2560 (H) × 1440 (V)
ROM	16 MB
RAM	64 MB
Scanning System	Progressive
Electronic Shutter Speed	Auto/Manual 1/3 s–1/100,000 s
Min. Illumination	0.025 lux@F2.0 (Color, 30 IRE) 0.0025 lux@F2.0 (B/W, 30 IRE) 0 lux (Illuminator on)
S/N Ratio	>56 dB
Illumination Distance	30 m
Illuminator On/Off Control	Auto
Illuminator Number	1 (IR LED)
Pan/Tilt/Rotation Range	Pan: 0°–360° Tilt: 0°–90° Rotation: 0°–360°

Technical Specification

Lens

Lens Type	Fixed focal			
Lens Mount	M12			
Focal Length	2,8 mm			
Max. Aperture	F2.0			
Scanning System	Progressive			
Field of View	Horizontal: 90°; Vertical: 50°; Diagonal: 107°			
Iris Control	Fixed			
Close Focus Distance	1 m			
DORI Distance	Detect	Observe	Recognize	Identify
	68.0 m	27,2 m	13,6 m	6,8 m

Video

Video Compression	H.264B; H.264; H.264H; H.265			
Smart Codec	Smart H.265+; Smart H.264+			
Video Frame Rate	Main stream: 2560 × 1440 (1–20 fps) Sub stream: 704 × 576 (1–25 fps) 704 × 480 (1–30 fps) *The values above are the max. frame rates of each stream; for multiple streams, the values will be subjected to the total encoding capacity.			
Stream Capability	2 streams			
Resolution	2560 × 1440 (2560 × 1440); 2304 × 1296 (2304 × 1296); 1080p (1920 × 1080); 1.3M(1280 × 960); 720p (1280 × 720)			
Bit Rate Control	CBR/VBR			
Video Bit Rate	H264: 24 kbps–4096 kbps H265: 9 kbps–4096 kbps			
Day/Night	Auto (ICR) / Color / B / W			
BLC	Yes			
WDR	DWDR			
White Balance	Auto; natural; street lamp; outdoor; manual; regional custom			
Gain Control	Auto			
Noise Reduction	3D NR			
Motion Detection	OFF/ON (4 areas, rectangular)			
Smart Illumination	Yes			
Image Rotation	0°/180°			
Mirror	Yes			

Audio

Built-in MIC	Yes
Audio Compression	G.711a; G.711Mu

Alarm

Alarm Event	No SD card; SD card full; SD card error; network disconnection; IP conflict; illegal access; motion detection; video tampering; audio detection; intensity change; SMD (human)
-------------	--

Network

Network Port	RJ-45 (10/100 Base-T)
Wi-Fi	IEEE802.11b/g/n 2.4–2.4835 GHz; 2.4 G
Wireless Range	Up to 80 m (The performance varies based on actual environment)
SDK and API	Yes
Network Protocol	IPv4; HTTP; TCP; UDP; ARP; RTP; RTSP; RTCP; DHCP; DNS; NTP; Multicast;
Interoperability	ONVIF (Profile S/Profile T); CGI; P2P
User/Host	6 (Total bandwidth: 36 M)
Storage	Micro SD card (support max. 256 GB)
Browser	IE; Chrome; Firefox
Management Software	Smart PSS; DSS; DMSS
Mobile Client	iOS; Android
Cyber Security	Video encryption; Configuration encryption; Digest; WSSE; Account lockout; Security logs; Generation and importing of X.509 certification; HTTPS; Trusted boot; Trusted execution; Trusted upgrade

Certification

Certifications	CE-LVD:EN62368-1; CE-EMC:Electromagnetic Compatibility Directive 2014/30/EU; CE-RED:Radio Equipment Directive 2014/53/EU; FCC:47 CFR FCC Part 15, Subpart B; FCC ID:FCC PART 15C
----------------	--

Structure

Casing Material	Metal
Product Dimensions	166.2 mm × 70.0 mm × 128.6 mm
Net Weight	0.478 kg
Gross Weight	0.697 kg

Power

Power Supply	12 VDC
Power Consumption	Basic: 2 W (12 VDC) Max. (H.265+IR intensity): 4.1 W (12 VDC)

Environment

Operating Temperature	–40 °C to +60 °C
Operating Humidity	≤95%
Storage Temperature	–30 °C to +70 °C
Protection	IP67